

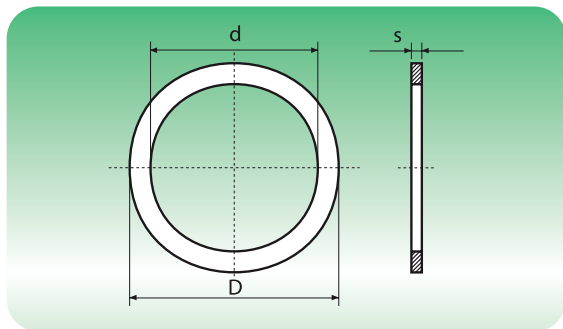
# PASSSCHEIBEN ROSTFREI

## DIN 988

SHIMWASHERS STAINLESS STEEL



**krumm&andré**



### PASSSCHEIBEN NACH DIN 988 ROSTFREI

SHIMWASHERS ACC. DIN 988 STAINLESS STEEL

Artikel-Nr.	d (mm)	D (mm)	s (mm)
Article No.	d (mm)	D (mm)	s (mm)
2300601	PS 3,0	6,0	0,10
2300602	PS 3,0	6,0	0,20
2300603	PS 3,0	6,0	0,30
2300605	PS 3,0	6,0	0,50
2300361	PS 3,0	6,0	1,00
2300701	PS 3,0	7,0	0,10
2300908	PS 3,0	9,0	0,80
2300801	PS 4,0	8,0	0,10
2300815	PS 4,0	8,0	0,15
2300802	PS 4,0	8,0	0,20
2300803	PS 4,0	8,0	0,30
2304810	PS 4,0	8,0	1,00
2330050	PS 4,0	30,0	0,50
2300905	PS 5,0	9,0	0,50
2301001	PS 5,0	10,0	0,10
2301015	PS 5,0	10,0	0,15
2301002	PS 5,0	10,0	0,20
2391003	PS 5,0	10,0	0,30
2301005	PS 5,0	10,0	0,50
2301010	PS 5,0	10,0	1,00
2301020	PS 5,0	10,0	2,00
2301516	PS 5,0	15,0	1,60
2381002	PS 6,0	10,0	0,20
2381201	PS 6,0	12,0	0,10

### PASSSCHEIBEN NACH DIN 988 ROSTFREI

SHIMWASHERS ACC. DIN 988 STAINLESS STEEL

Artikel-Nr.	d (mm)	D (mm)	s (mm)
Article No.	d (mm)	D (mm)	s (mm)
2301215	PS 6,0	12,0	0,15
2301202	PS 6,0	12,0	0,20
2301203	PS 6,0	12,0	0,30
2301205	PS 6,0	12,0	0,50
2301210	PS 6,0	12,0	1,00
2301212	PS 6,0	12,0	1,20
2301214	PS 6,0	12,0	1,40
2301498	PS 6,0	14,0	0,80
2301315	PS 7,0	13,0	1,50
2301301	PS 7,0	13,0	0,10
2301302	PS 7,0	13,0	0,20
2301303	PS 7,0	13,0	0,30
2311305	PS 7,0	13,0	0,50
2301310	PS 7,0	13,0	1,00
2301102	PS 8,0	11,0	0,20
2301105	PS 8,0	11,0	0,50
2301225	PS 8,0	12,0	0,25
2301401	PS 8,0	14,0	0,10
2301415	PS 8,0	14,0	0,15
2301402	PS 8,0	14,0	0,20
2301425	PS 8,0	14,0	0,25
2301405	PS 8,0	14,0	0,50
2301410	PS 8,0	14,0	1,00
2301412	PS 8,0	14,0	1,20

# PASSSCHEIBEN ROSTFREI

## DIN 988

SHIMWASHERS STAINLESS STEEL



**krumm&andré**

### PASSSCHEIBEN NACH DIN 988 ROSTFREI

SHIMWASHERS ACC. DIN 988 STAINLESS STEEL

Artikel-Nr.	d (mm)	D (mm)	s (mm)
Article No.	d (mm)	D (mm)	s (mm)
2391415	PS 8,0	14,0	1,50
2301515	PS 8,0	15,0	1,50
2391701	PS 8,0	17,0	0,10
2301501	PS 9,0	15,0	0,10
2301503	PS 9,0	15,0	0,30
2301504	PS 9,0	15,0	0,40
2391505	PS 9,0	15,0	0,50
2309151	PS 9,0	15,0	1,00
2301512	PS 9,0	15,0	1,20
2301520	PS 9,0	15,0	2,00
2302430	PS 9,0	24,0	3,00
2301155	PS 10,0	15,0	0,50
2301601	PS 10,0	16,0	0,10
2391615	PS 10,0	16,0	0,15
2301602	PS 10,0	16,0	0,20
2301625	PS 10,0	16,0	0,25
2301603	PS 10,0	16,0	0,30
2301605	PS 10,0	16,0	0,50
2301610	PS 10,0	16,0	1,00
2301612	PS 10,0	16,0	1,20
2311615	PS 10,0	16,0	1,50
2301620	PS 10,0	16,0	2,00
2301910	PS 10,0	19,0	1,00
2301701	PS 11,0	17,0	0,10
2301702	PS 11,0	17,0	0,20
2301703	PS 11,0	17,0	0,30
2301705	PS 11,0	17,0	0,50
2301801	PS 12,0	18,0	0,10
2301802	PS 12,0	18,0	0,20
2301825	PS 12,0	18,0	0,25
2301803	PS 12,0	18,0	0,30
2301805	PS 12,0	18,0	0,50
2301810	PS 12,0	18,0	1,00
2391812	PS 12,0	18,0	1,20

### PASSSCHEIBEN NACH DIN 988 ROSTFREI

SHIMWASHERS ACC. DIN 988 STAINLESS STEEL

Artikel-Nr.	d (mm)	D (mm)	s (mm)
Article No.	d (mm)	D (mm)	s (mm)
2321820	PS 12,0	18,0	2,00
2322010	PS 12,0	20,0	1,00
2301243	PS 12,0	24,0	0,30
2301901	PS 13,0	19,0	0,10
2301915	PS 13,0	19,0	0,15
2391902	PS 13,0	19,0	0,20
2301925	PS 13,0	19,0	0,25
2301903	PS 13,0	19,0	0,30
2301905	PS 13,0	19,0	0,50
2391910	PS 13,0	19,0	1,00
2303030	PS 13,0	30,0	3,00
2382001	PS 14,0	20,0	0,10
2382015	PS 14,0	20,0	0,15
2302025	PS 14,0	20,0	0,25
2382003	PS 14,0	20,0	0,30
2312005	PS 14,0	20,0	0,50
2302010	PS 14,0	20,0	1,00
2302015	PS 14,0	20,0	1,50
2302020	PS 14,0	20,0	2,00
2302102	PS 15,0	21,0	0,20
2302103	PS 15,0	21,0	0,30
2302105	PS 15,0	21,0	0,50
2302110	PS 15,0	21,0	1,00
2302115	PS 15,0	21,0	1,50
2302120	PS 15,0	21,0	2,00
2302101	PS 15,0	21,0	0,10
2392201	PS 15,0	22,0	0,10
2392203	PS 15,0	22,0	0,30
2392210	PS 15,0	22,0	1,00
2392215	PS 15,0	22,0	1,50
2302201	PS 16,0	22,0	0,10
2322015	PS 16,0	22,0	0,15
2302225	PS 16,0	22,0	0,25
2302203	PS 16,0	22,0	0,30

# PASSSCHEIBEN ROSTFREI

## DIN 988

SHIMWASHERS STAINLESS STEEL



**krumm&andré**

### PASSSCHEIBEN NACH DIN 988 ROSTFREI

SHIMWASHERS ACC. DIN 988 STAINLESS STEEL

Artikel-Nr.	d (mm)	D (mm)	s (mm)
Article No.	d (mm)	D (mm)	s (mm)
2302205	PS 16,0	22,0	0,50
2302210	PS 16,0	22,0	1,00
2302212	PS 16,0	22,0	1,20
2372215	PS 16,0	22,0	1,50
2302503	PS 16,0	25,0	0,30
2302605	PS 16,0	26,0	0,50
2302320	PS 17,0	23,0	3,00
2302401	PS 17,0	24,0	0,10
2392402	PS 17,0	24,0	0,20
2302403	PS 17,0	24,0	0,30
2302405	PS 17,0	24,0	0,50
2302410	PS 17,0	24,0	1,00
2302415	PS 17,0	24,0	1,50
2302420	PS 17,0	24,0	2,00
2302501	PS 18,0	25,0	0,10
2302515	PS 18,0	25,0	0,15
2302502	PS 18,0	25,0	0,20
2302525	PS 18,0	25,0	0,25
2382503	PS 18,0	25,0	0,30
2302505	PS 18,0	25,0	0,50
2302510	PS 18,0	25,0	1,00
2302602	PS 19,0	26,0	0,20
2302603	PS 19,0	26,0	0,30
2302685	PS 19,0	26,0	0,85
2302610	PS 19,0	26,0	1,00
2302615	PS 19,0	26,0	1,50
2302801	PS 20,0	28,0	0,10
2302815	PS 20,0	28,0	0,15
2302802	PS 20,0	28,0	0,20
2302803	PS 20,0	28,0	0,30
2302805	PS 20,0	28,0	0,50
2302810	PS 20,0	28,0	1,00
2302820	PS 20,0	28,0	2,00
2303010	PS 20,0	30,0	1,00

### PASSSCHEIBEN NACH DIN 988 ROSTFREI

SHIMWASHERS ACC. DIN 988 STAINLESS STEEL

Artikel-Nr.	d (mm)	D (mm)	s (mm)
Article No.	d (mm)	D (mm)	s (mm)
2303001	PS 22,0	30,0	0,10
2303002	PS 22,0	30,0	0,20
2303003	PS 22,0	30,0	0,30
2303005	PS 22,0	30,0	0,50
2303020	PS 22,0	30,0	2,00
2393201	PS 22,0	32,0	0,10
2393202	PS 22,0	32,0	0,20
2303203	PS 22,0	32,0	0,30
2303205	PS 22,0	32,0	0,50
2303210	PS 22,0	32,0	1,00
2303220	PS 22,0	32,0	2,00
2313205	PS 25,0	32,0	0,50
2313210	PS 25,0	32,0	1,00
2303501	PS 25,0	35,0	0,10
2303515	PS 25,0	35,0	0,15
2303502	PS 25,0	35,0	0,20
2303503	PS 25,0	35,0	0,30
2303505	PS 25,0	35,0	0,50
2303510	PS 25,0	35,0	1,00
2303512	PS 25,0	35,0	1,20
2353515	PS 25,0	35,0	1,50
2393602	PS 25,0	36,0	0,20
2303615	PS 25,0	36,0	1,50
2323620	PS 25,0	36,0	2,00
2303702	PS 26,0	37,0	0,20
2303705	PS 26,0	37,0	0,50
2303710	PS 26,0	37,0	1,00
2303712	PS 26,0	37,0	1,20
2303602	PS 27,0	36,0	0,20
2303605	PS 28,0	36,0	0,50
2304001	PS 28,0	40,0	0,10
2304015	PS 28,0	40,0	0,15
2304003	PS 28,0	40,0	0,30
2304005	PS 28,0	40,0	0,50

# PASSSCHEIBEN ROSTFREI

## DIN 988

SHIMWASHERS STAINLESS STEEL



**krumm&andré**

### PASSSCHEIBEN NACH DIN 988 ROSTFREI

SHIMWASHERS ACC. DIN 988 STAINLESS STEEL

Artikel-Nr.	d (mm)	D (mm)	s (mm)
Article No.	d (mm)	D (mm)	s (mm)
2384010	PS 28,0	40,0	1,00
2304020	PS 28,0	40,0	2,00
2314005	PS 30,0	40,0	0,50
2304201	PS 30,0	42,0	0,10
2304202	PS 30,0	42,0	0,20
2304203	PS 30,0	42,0	0,30
2304205	PS 30,0	42,0	0,50
2304210	PS 30,0	42,0	1,00
2304220	PS 30,0	42,0	2,00
2394501	PS 32,0	45,0	0,10
2374505	PS 32,0	45,0	0,50
2334215	PS 33,0	42,0	1,50
2304501	PS 35,0	45,0	0,10
2305452	PS 35,0	45,0	0,20
2304503	PS 35,0	45,0	0,30
2304505	PS 35,0	45,0	0,50
2304510	PS 35,0	45,0	1,00
2314515	PS 35,0	45,0	1,50
2344505	PS 36,0	45,0	0,50
2374701	PS 37,0	47,0	0,10
2347020	PS 37,0	47,0	0,20
2304710	PS 37,0	47,0	1,00
2305001	PS 40,0	50,0	0,10
2305010	PS 40,0	50,0	1,00
2305201	PS 42,0	52,0	0,10
2305203	PS 42,0	52,0	0,30
2305205	PS 42,0	52,0	0,50
2385501	PS 45,0	55,0	0,10
2385502	PS 45,0	55,0	0,20
2305610	PS 45,0	55,0	1,00
2306201	PS 50,0	62,0	0,10
2306202	PS 50,0	62,0	0,20
2306203	PS 50,0	62,0	0,30
2306205	PS 50,0	62,0	0,50

### PASSSCHEIBEN NACH DIN 988 ROSTFREI

SHIMWASHERS ACC. DIN 988 STAINLESS STEEL

Artikel-Nr.	d (mm)	D (mm)	s (mm)
Article No.	d (mm)	D (mm)	s (mm)
2306210	PS 50,0	62,0	1,00
2306301	PS 50,0	63,0	0,10
2306305	PS 50,0	63,0	0,50
2300751	PS 65,0	75,0	1,00
2307901	PS 69,0	79,0	0,10

Rostfreies Material:

Stainless Material:

I.4301 = AISI 304 = A2

I.4310 = AISI 301 = A2

I.4401 = AISI 316 = A4

I.4404 = AISI 316 = A4